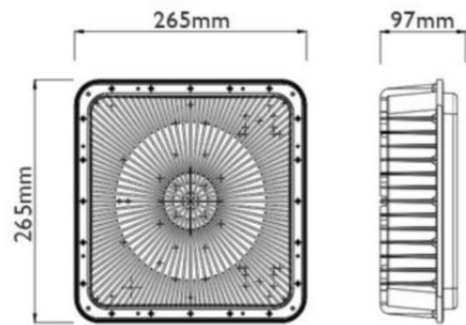


PROJECT:	DATE:
PREPARED BY:	NOTES:

## 50W LED Low Bay Canopy Lights spec sheet

### Description

- \* L70>54000 Hours
- \* Commercial/Architectural Grade
- \* Architectural UV resistant powder coat finish
- \* Lighting Facts™ Uniform LM-79 Reporting Template
- \* UL Listed
- \* Photo-electric Switch (Optional) - Listed (WJCT),
- \* System Watts: 50W
- \* Voltages: 100-277Vac
- \* CRI:70+
- \* IP65
- \* Operating Temp: -30 °C to +60 °C
- \* Operating Humidity: 20% to 90%RH
- \* Power Fact(PF) : 0.99
- \* Power Supply Efficiency: > 90%
- \* Color Temperature: 3000-5000K



### ORDERING INFORMATION

M/N	Watts	lumen Efficiency	Line voltage supply	Color Temperature	Beam Angle	Replace HID/MH
RL-CN-050W-B-LV-N-WW	50W	100.26lm/w	100-277Vac	3000K	145.8°	100W
RL-CN-050W-B-LV-N-NW	50W	100.26lm/w	100-277Vac	4000K	145.8°	100W
RL-CN-050W-B-LV-N-DW	50W	100.26lm/w	100-277Vac	5000K	145.8°	100W

Where "YY" in model name can be "SW", "WW", "NW", "DW" or "CW".